

Multi Cartridge Filter Vessels (FH series 3, 6, 9)

Multi Cartridge Filter Vessel Series

Flexible Stainless Steel Filter Vessels

The Parker Filtration FH Series 3, 6 and 9 are lightweight models for the filtration of liquids. The functional concept is to offer a fully flexible assembly capable of dealing with many situations in production.

Manufactured from 316L stainless steel, these vessels meet a wide range of applications up to 10 bar g pressure, FH series 3 and 6 (3 column and 6 column) accommodate single, double, triple and quadruple length cartridges and the series 9 (9 column) will accommodate double, triple and quadruple length cartridges. For PED compliance contact Parker.

*Fluoroelastomers are available under various registered trademarks, including Viton, (a registered trademark of DuPont) and Fluorel (a registered trademark of 3M).



Typical Applications

- n Potable Water
- n Process Water
- n Edible Oils
- n Coatings
- n Lubricants
- n Coolants
- n Cutting Oils
- n Solvents

Features and Benefits

- n 316L stainless steel – for greater compatibility.
- n Bottom outlet – for easier draining and pipework location.
- n Single or double open ended cartridges can be fitted.
- n Flexibility – by changing the cover and a few internal parts you can adjust the filter capacity to your needs.
- n Vee band – Quick release clamp – allows for quick cartridge change out.
- n Cover Seal: nitrile (option: viton)
- n Low level housing split – means easy cartridge change out and greater accessibility for cleaning.
- n All units have an air vent, drain plug and leg assembly.
- n Parker cartridges are available in a wide range of constructions and ratings to achieve desired particle removal, flow rate and compatibility.
- n Adjustable Stainless Steel legs.

Process Filtration Division

WARNING! FAILURE OR IMPROPER SELECTION OR IMPROPER USE OF THE PRODUCTS AND/OR SYSTEMS DESCRIBED HEREIN OR RELATED ITEMS CAN CAUSE DEATH, PERSONAL INJURY AND PROPERTY DAMAGE.
This document and other information from Parker Hannifin Corporation, its subsidiaries and authorised distributors provide product and/or system options for further investigation by users having technical expertise. It is important that you analyse all aspects of your application and review the information concerning the product or system in the current product catalogue. Due to the variety of operating conditions and applications for these products or systems, the user, through its own analysis and testing, is solely responsible for making the final selection for the products and systems and assuring that all performance, safety and warning requirements of the application are met. The products described herein, including without limitation, product features, specifications, designs, availability and pricing, are subject to change by Parker Hannifin Corporation and its subsidiaries at any time without notice.

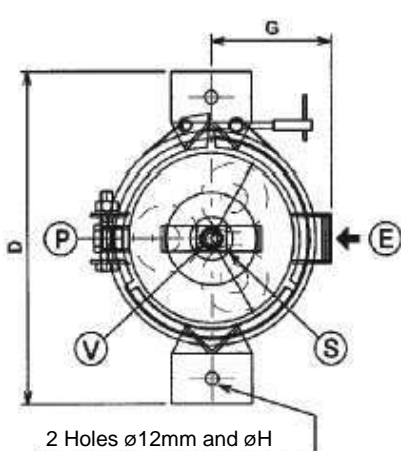


Multi Cartridge Filter Vessel Series

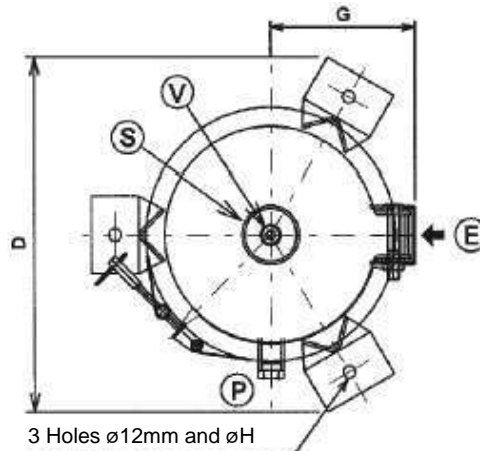
Dimensions - Inlet/Outlet

Part No.	Cartridges	Max Flow l/min	A	B	C	D	E	F	G	H	Weight (Kg)	Volume (l)
FH310 40 SS	3X10"	60	685	251	130	325	300	168	120	274	14	11
FH320 40 SS	3X20"	125	945	251	130	325	620	168	120	274	20	18
FH330 40 SS	3X30"	183	1210	251	130	325	1145	168	120	274	26	24
FH340 40 SS	3X40"	233	1475	251	130	325	1680	168	120	274	32	30
FH610 50 SS	6X10"	200	855	266	270	367	300	219	150	327	19	18
FH620 50 SS	6X20"	250	1115	266	270	367	640	219	150	327	24	23
FH630 50 SS	6X30"	367	1380	266	270	367	1165	219	150	327	29	33
FH640 50 SS	6X40"	500	1645	266	270	367	1690	219	150	327	39	43
FH920 80 SS	9X20"	367	1125	309	246	415	650	273	187	382	30	45
FH930 80 SS	9X30"	500	1390	309	246	415	1175	273	187	382	39	60
FH940 80 SS	9X40"	700	1655	309	246	415	1700	273	187	382	48	75

Model	(E) Inlet/Outlet (S)	Vent (V)
FH 310/320/330/340 FH 610/620/640/640 FH 920/930/940	∅ 1 1/2 BSPM ∅ 2" or 3" BSPM ∅ 3" BSPM	∅ 1/2" BSPF ∅ 1/2" BSPF ∅ 1/2" BSPF



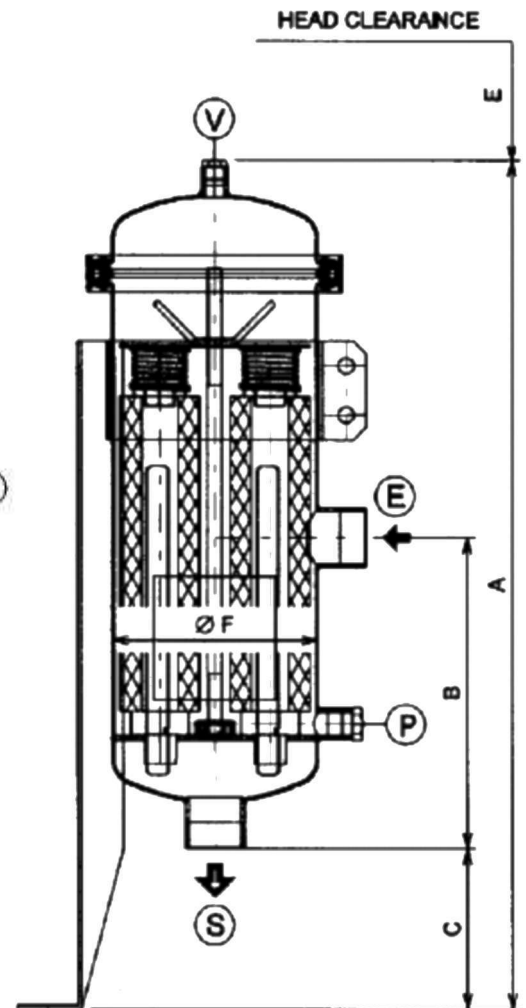
Model FH3



Model FH6 and 9

Ordering Information

FH	3	10	40	SS
Design Series	Number Of COLUMNS	Cartridge Length 10=10" 254mm 20=20" 508mm 30=30" 762mm 40=40" 1016mm	In/Out Connection 40=1 1/2" BSPM 50=2" BSPM 80=3" BSPM	Stainless Steel legs



Process Filtration Division

* Trademark of E. I. duPont de Nemours & Co.

Parker Filtration
Filter Division Europe
Shaw Cross Business Park
Dewsbury, West Yorkshire
WF12 7RD, England
Phone: +44 (0) 1924 487000
Fax: +44 (0) 1924 487001
Website: www.parker.com

